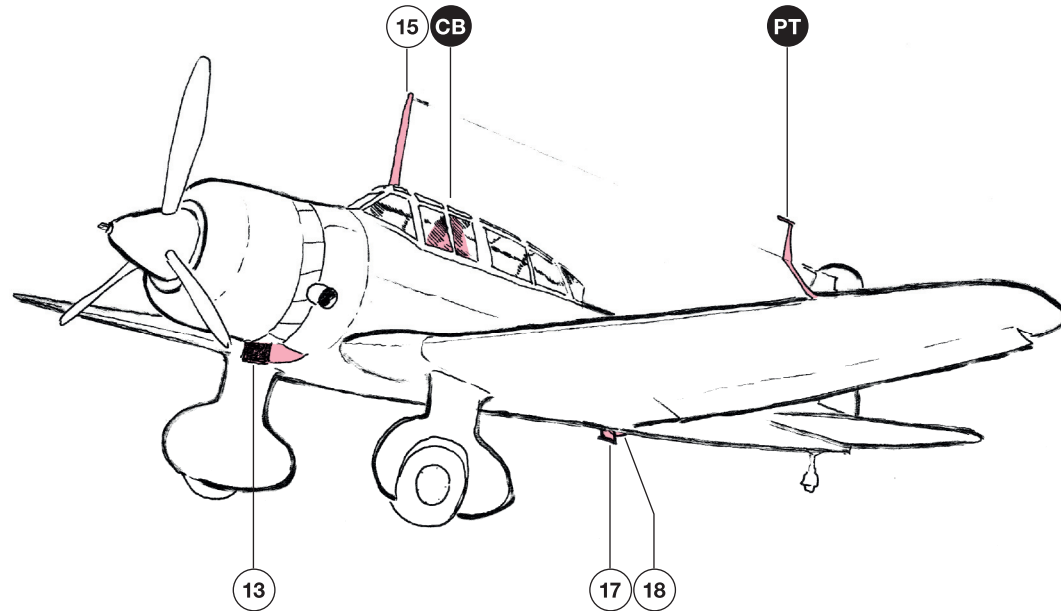
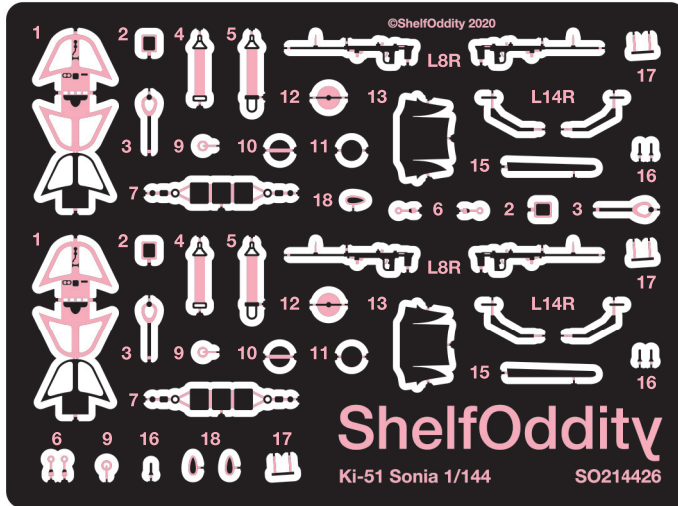


SO214426

1/144 Ki-51 Sonia for Clear Prop kit

Shelf
Oddity

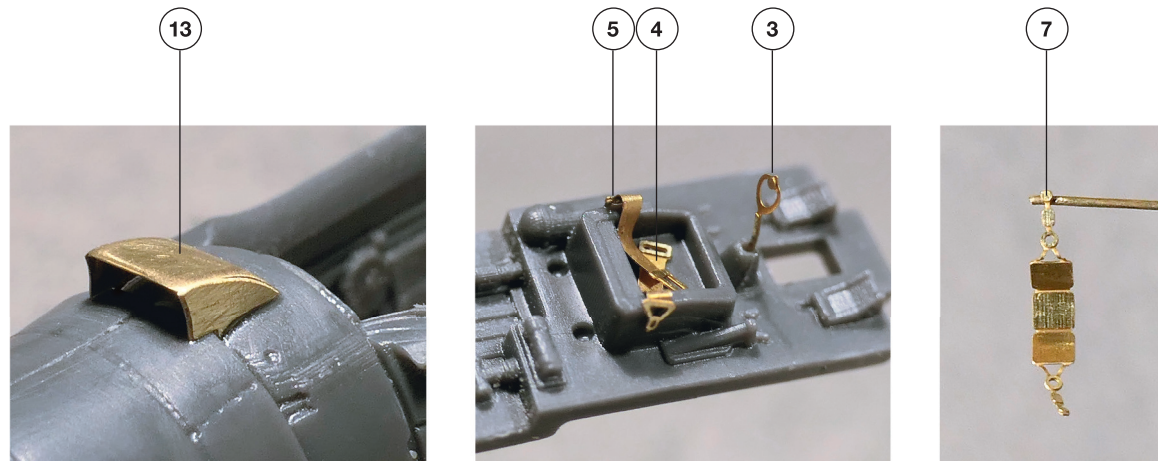


This photo-etched double detail set is designed for the excellent Clear Prop kit. We focused on updating several areas of the kit which may benefit from the brass treatment.

One of the more prominent features of this set is the oil cooler (13). The plastic imitation of cooler in the kit needs to be removed beforehand.

Although the seatbelts in form of decals are included in the kit, we thought that some modellers might like their brass equivalents (4, 5, 7) better.

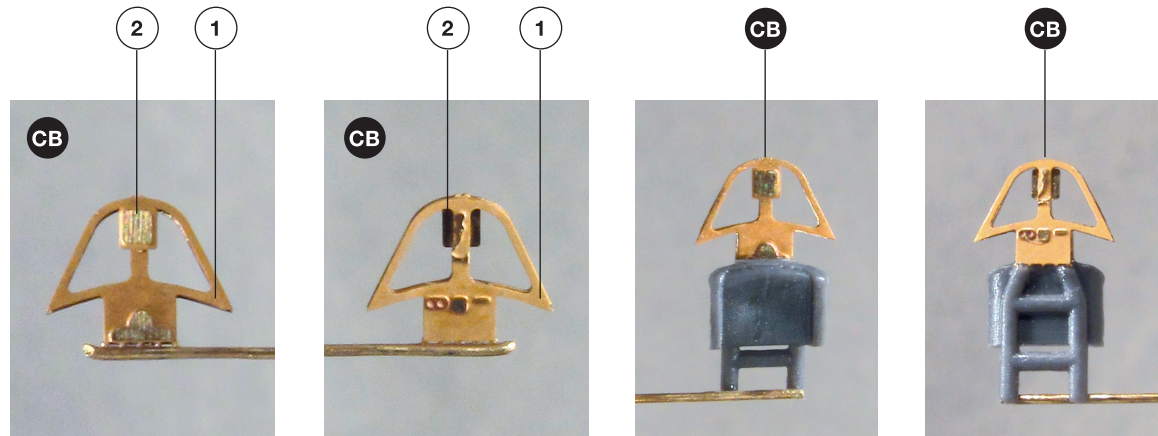
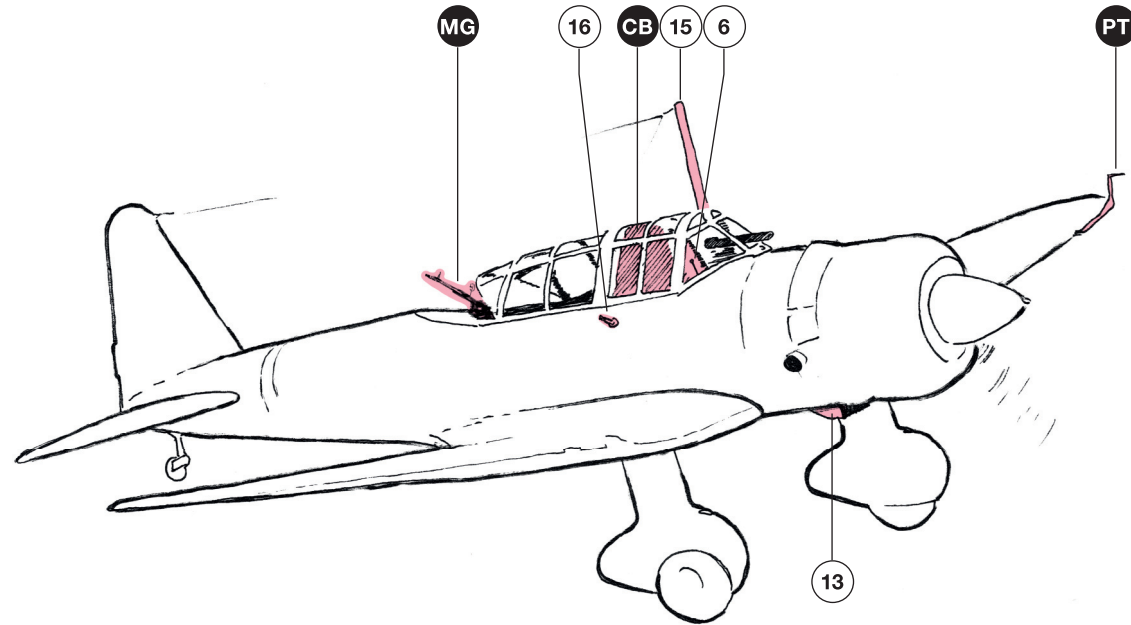
We also provided a finer replacement of the front control stick (3) and a very delicate piece of aiming device fitted inside of the front cockpit (6).



Another prominent feature located inside the canopy is the cockpit bulkhead (CB). The upper section of the kit's part A2 needs to be cut off and replaced with folded part no.1 from our set. The lower part of the etched bulkhead (the one without any surface details) needs to be folded first, and then covered with the upper part of the bulkhead. The finishing touch is the application of the pilot's headrest (2).

It is recommended to fold the bulkhead (1) completely and only then to apply glue in a delicate manner on the outside perimeter of the bulkhead.

The external details included in this set include: antennae masts – the main one (15) and a small starboard one (16), pitot tube (PT) – a sandwich made of parts 14L and 14R, pilot step (17) and a bottom fuselage identification light (18).



The last but not least item in our set is the machine gun replica (MG). The basic assembly is again a sandwich made of parts 8L and 8R.

As with the cockpit bulkhead (CB) and pitot tube (PT), it is recommended to dry-assemble both parts and then apply the glue from the outside.

The MG rounds magazine has also a form of sandwich but made of three layers (10, 11, 12). The gun assembly is completed by the aiming ring (9) and the reload handle which needs to be scratchbuilt from 0.08 mm wire.

Several spare details will keep your carpet monster happy and well.

Sources:

Mechanism of Military Aircraft No.6: Ki-51 – Maru Mechanic

