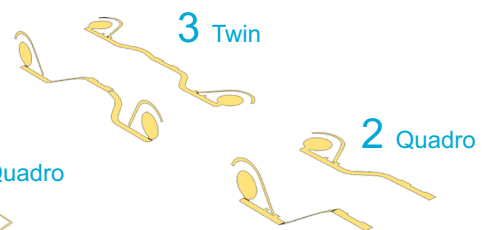
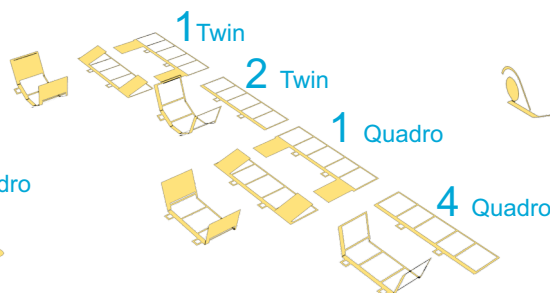
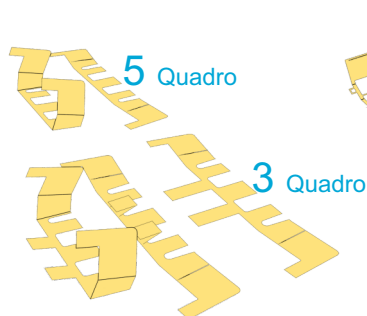
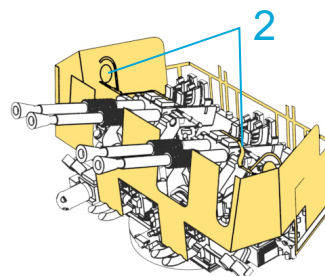
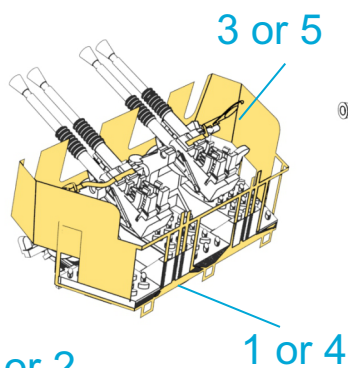
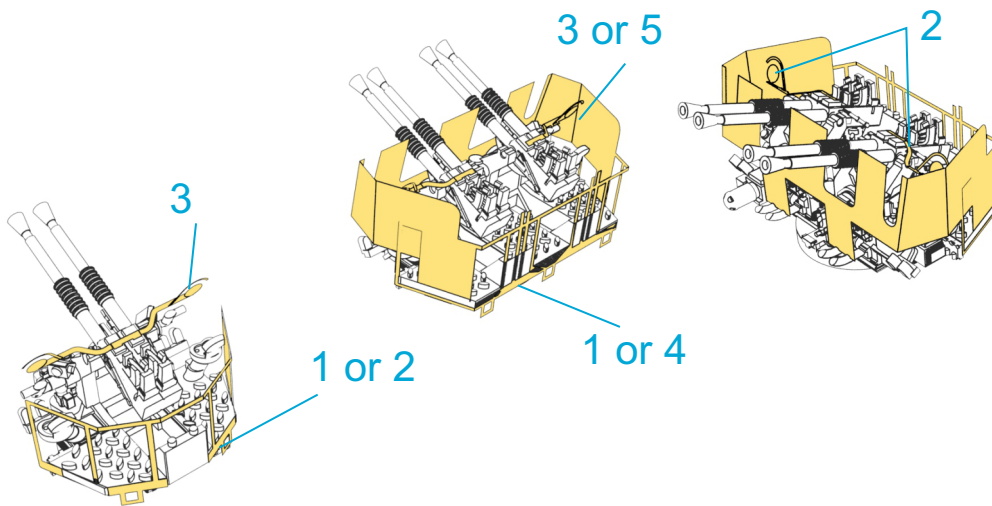
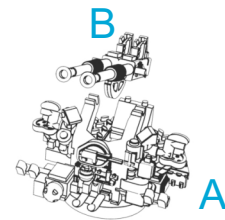
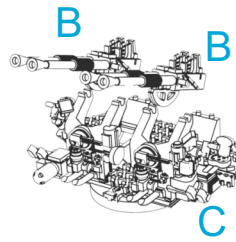
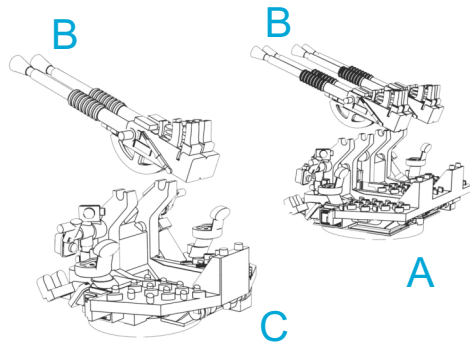
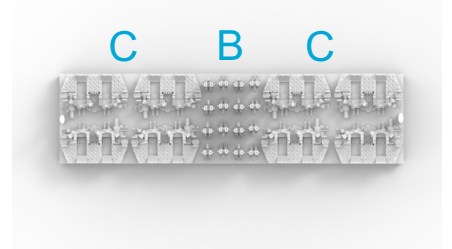
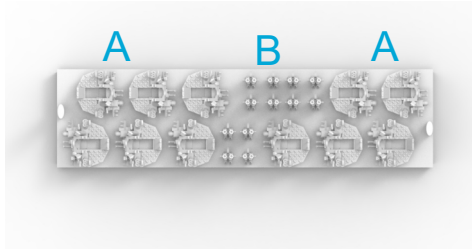
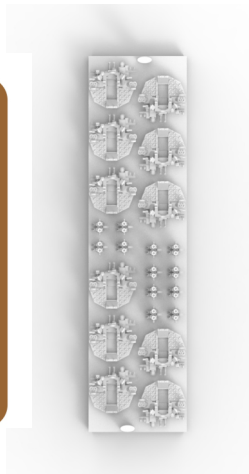
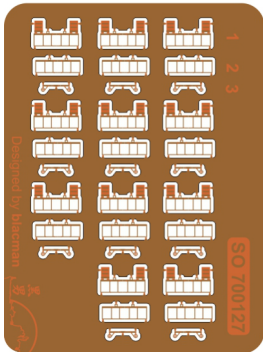


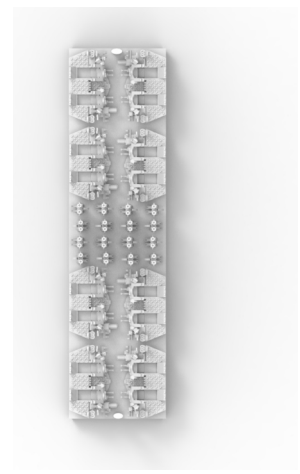
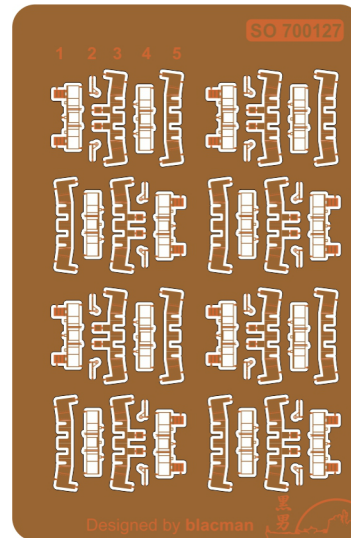
40mm Twin Bofors

40mm Quadro Bofors





SO 700127



SO 700128

General Remarks:

Set has been designed in 0,02mm accuracy on extremely thin brass. Etching process may decrease some dimensions and create irregularities. To obtain best results gluing "edge-to-edge" is highly recommended. Be careful when bend and correct bendings. Set contains tailored 3D parts

Set is intended to be replacement or complement for standard injection parts. During reading this manual you might see some generic photoetched, brass tubes or plastic parts which are not a subject of this set.

Resin is fragile. Extensive work or aggressive attempt to remove material may lead to breakage. Please pay high attention when tooling. Do not overuse the cutting or drilling forces.

Complementary items:

SO 700130 - USN Searchlights
SO 700129 - Oerlikon Set