



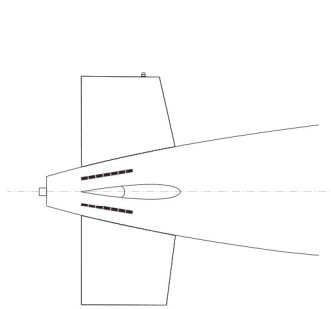
This detail set featuring blocks of zinc anodes (*zincs* in US Naval parlance) is designed to use with models of all USN nuclear ballistic missile submarines – from George Washington class up to the Ohio class vessels.

Please note sterns of all museum ships are just covered with *zincs* to keep the corrosion away. The anode layouts shown here are specific for the service periods of given boats.

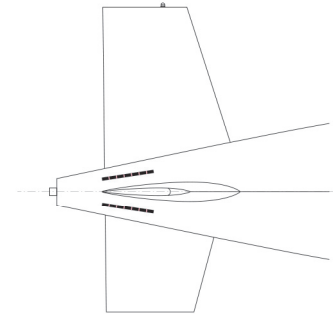
The flat versions of the short *zincs* blocs (parts **1** and **2**) were mostly seen at early stages of early boomers life. During later service phases and on later classes *zincs* blocs with visible mounting points (parts **1a**, **2a**, **3** and **4**) were used.

The 1/350 scale kits of USN nuclear ballistic missile submarines are available from several manufacturer's ranges, most notably from Dragon, Mikromir and Yankee Modelworks.

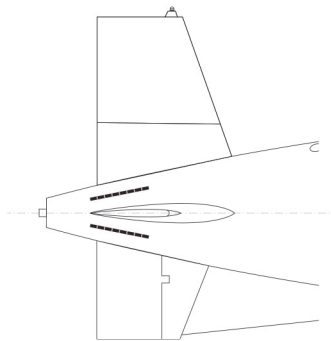
! George Washington class submarines. Short blocks (**1/1a**) are placed in a symmetrical way between tail planes.



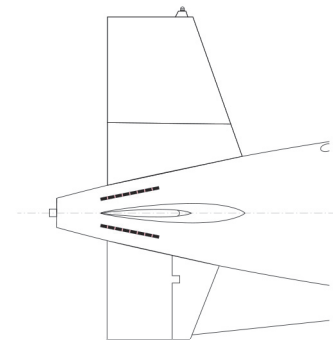
! Ethan Allen class submarines. Short blocks (**1/1a**) are placed in a symmetrical way between tail planes.



! Lafayette class submarines. Short blocks (**2/2a**) are placed in a symmetrical way between tail planes.



! James Madison class submarines. Short blocks (**2/2a**) are placed in a symmetrical way between tail planes.



! Drawings keep 1/350 scale when printed on A4 size paper without "fit to page" option.

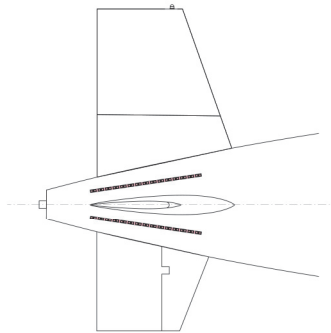
This set features one 0.2 mm nickel-brass fret. The silver colour of the material allows for fast application on your model.

Use of dark wash (to highlight the details) and matt varnish (to tone down the shine as zinc has rather opaque finish) is recommended.

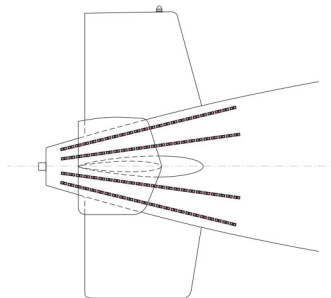
The prepared zincs can be attached to your model after it is painted using PVA (or carefully applied odourless CA) glue to save on time consuming masking procedures.

Note: pre-shape each block to the hull curvature before using glue.

! Benjamin Franklin class submarines. Medium length blocks (3) are placed in a symmetrical way between tail planes.



! Ohio class submarines. Pairs of long blocks (4) are placed in a symmetrical way between tail planes.



! Drawings keep 1/350 scale when printed on A4 size paper without "fit to page" option.