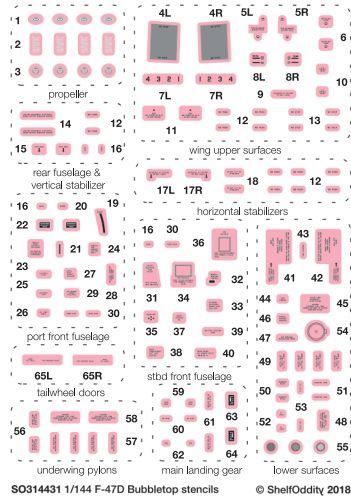


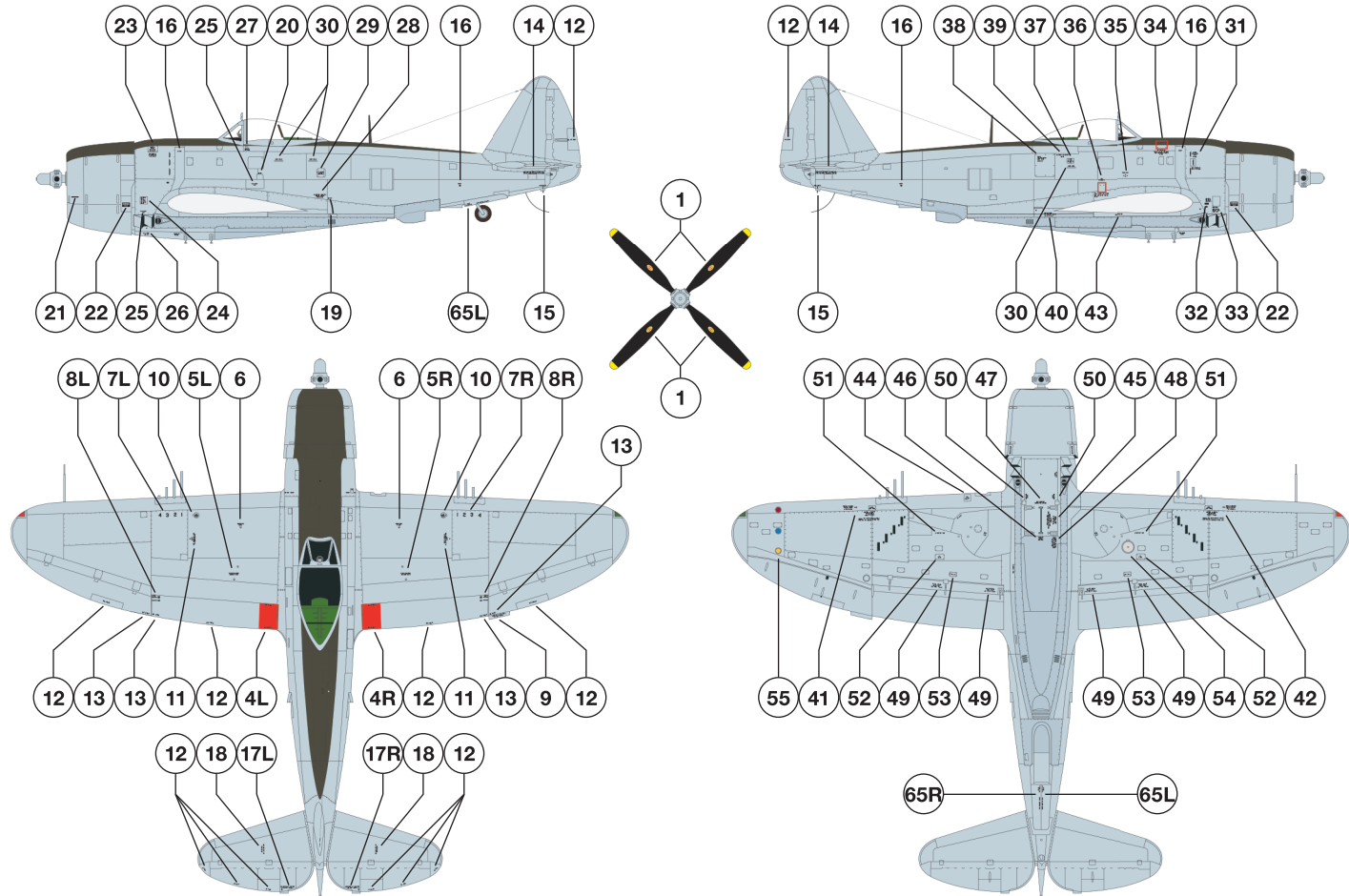
SO314431

1/144 F-47D Bubbletop Stencils

Shelf
Oddity



! Drawings keep 1/144 scale when printed on A4 size paper without "fit to page" option.



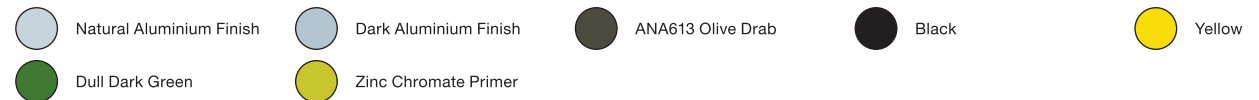
This decal set is recommended for Platz-Bego and recent F-Toys kits. Decals are made using silk print technology (BOA Bodecek Agency) and feature a limited amount of transparent base around the graphics.

Nearly all post-war F-47s were kept in natural metal finish and the stencils were mostly black. The camouflaged Jugs had white stencilling – this is not included in our set.

Even though the set is recommended for post-war Jugs it is also suitable for late war NMF P-47 machines.

On this page an early Bubbletop (F-47D-25/28) is shown, featuring Hamilton Standard propeller.

Colour guide:



This page shows later Bubbletop versions (F-47D-30/40), featuring Curtis Electric propeller, tail fin, air-brakes and different landing light position. Only the differences in decals position (54) and the CE propeller-specific markings are shown on this page.

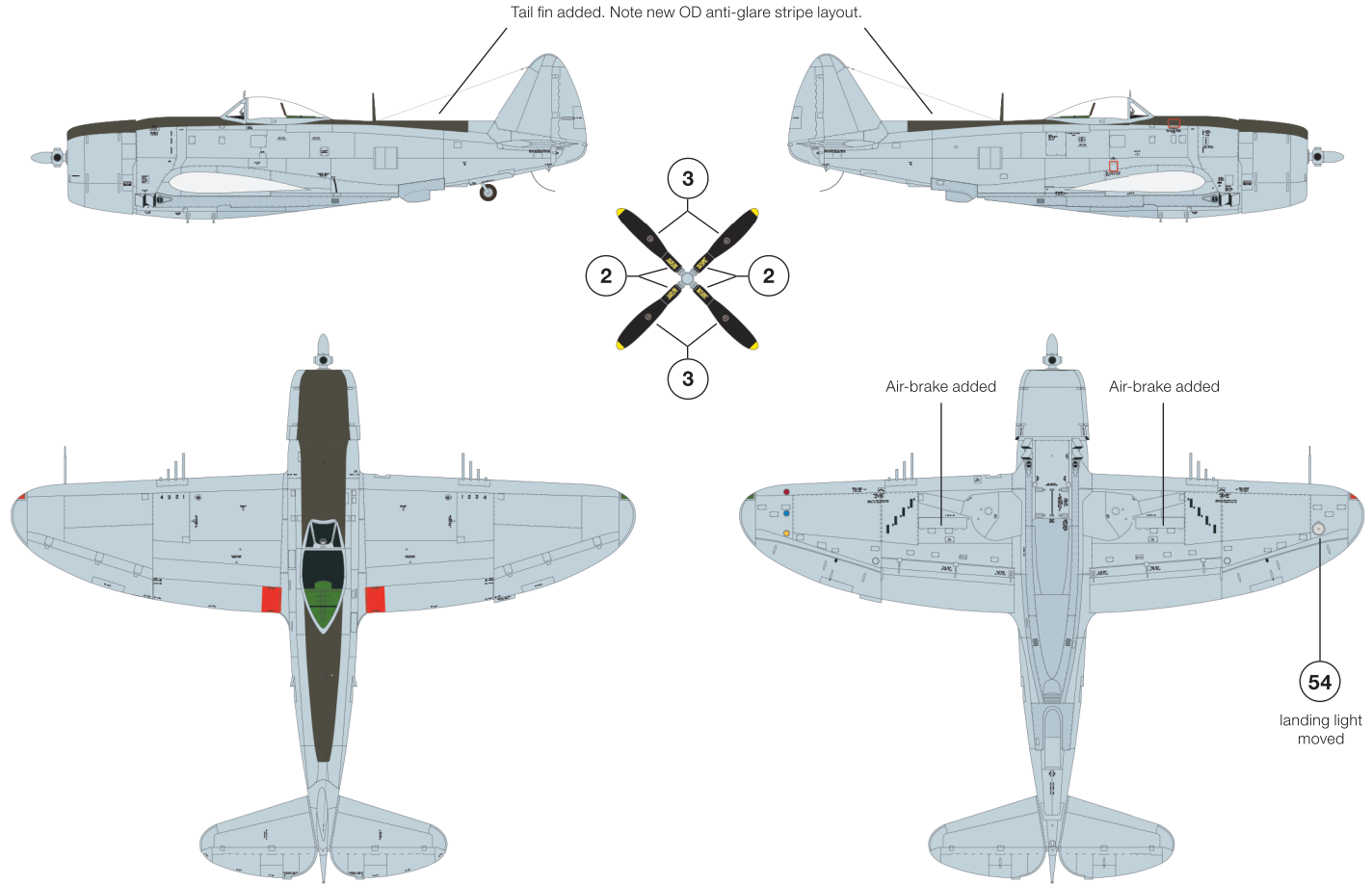
Note that some of the post-war Thunderbolts have all the stencilling removed, most likely while the other markings were removed.

The most typical anti-glare surfaces layout is shown on the drawing. Check your references as the layouts varied for different users and periods of time. Sometimes black was used instead of Olive Drab.

A few words about internal surfaces. The cockpit area was painted with Republic typical Dull Dark Green. The wheel wells and the inner sides of undercarriage doors were kept in Zinc Chromate Primer colour.

Both series of Bubbletop are shown in the manual with rear view mirror mounted on top of the windscreen. Again, check your references carefully because it was not used very often.

! Drawings keep 1/144 scale when printed on A4 size paper without "fit to page" option.



Colour guide:



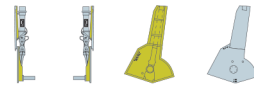
Here the additional stencils are shown: the most prominent markings on main landing gear legs and a complete set of stencils for underwing pylons.

Note, when the underwing pylons are mounted they partially cover some underwing stencils (41 and 42).

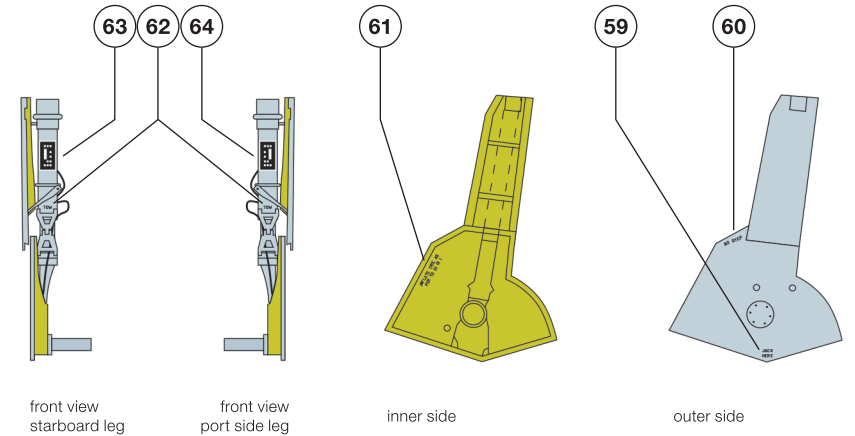
! Drawings below keep 1/144 scale when printed on A4 size paper without "fit to page" option.

! Drawings below are not to scale.

Main Landing Gear



! All markings on MLG doors are symmetrical.



front view
starboard leg

front view
port side leg

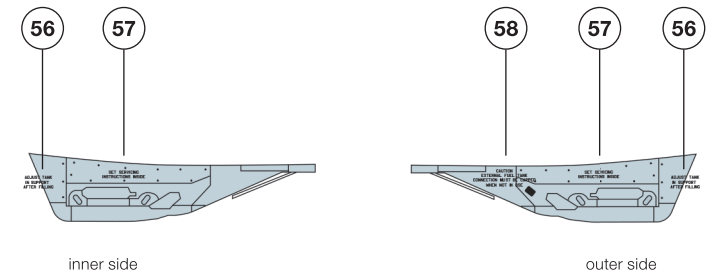
inner side

outer side

Underwing pylons



! Stencil 56 goes over front edge of pylon. All markings are symmetrical on port side and starboard pylon.



inner side

outer side

Sources:

P-47 Thunderbolt – Squadron-Signal In Detail and Scale 054

P-47 Thunderbolt – Squadron-Signal Walk Around 011

Republic P-47 Thunderbolt – Aero Detail 014

Republic P-47 Thunderbolt – Specialty Press Warbird Tech 23

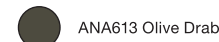
Colour guide:



Natural Aluminium Finish



Dark Aluminium Finish



ANA613 Olive Drab



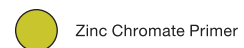
Black



Yellow



Dull Dark Green



Zinc Chromate Primer