

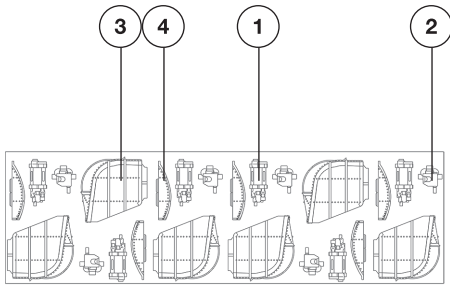
SO700143

1/700 IJN Single 120 mm type 10 Nendo Shiki B2 AA Units

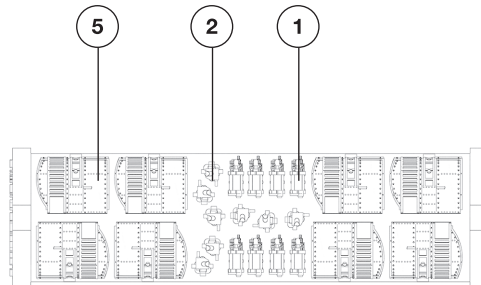


Shelf Oddity

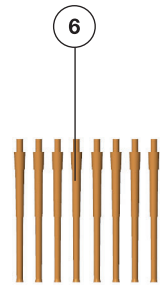
A general view of 3D-printed resin parts: version 1 (old)



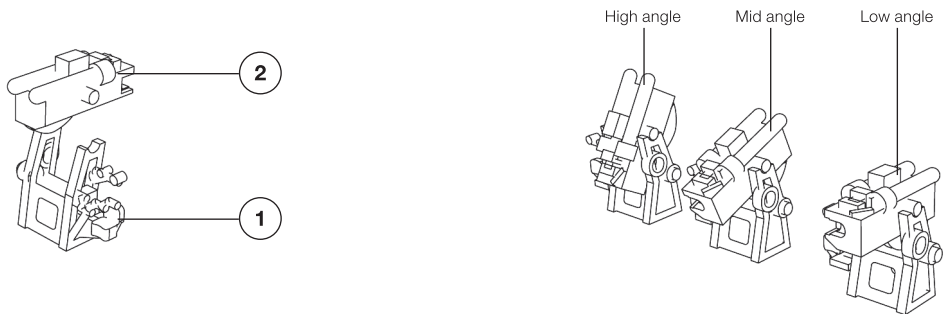
A general view of 3D-printed resin parts: version 2 (new)



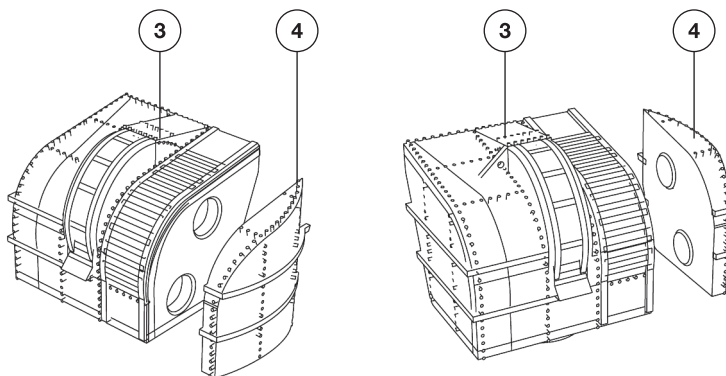
The general view of turned brass barrels:



1. Prepare the gun base (1) and breech (2) assembly and choose the right elevation of the gun.



2. Assembly the gun cover (version 1) or use the complete cover (5) (version 2).

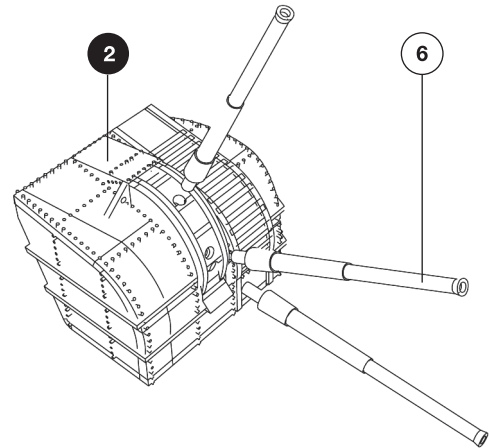
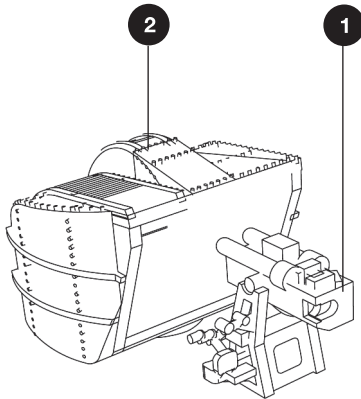


SO700143

1/700 IJN Single 120 mm type 10 Nendo Shiki B2 AA Units

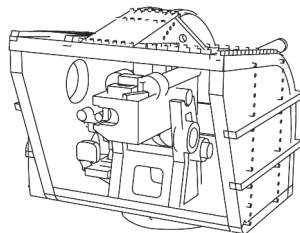
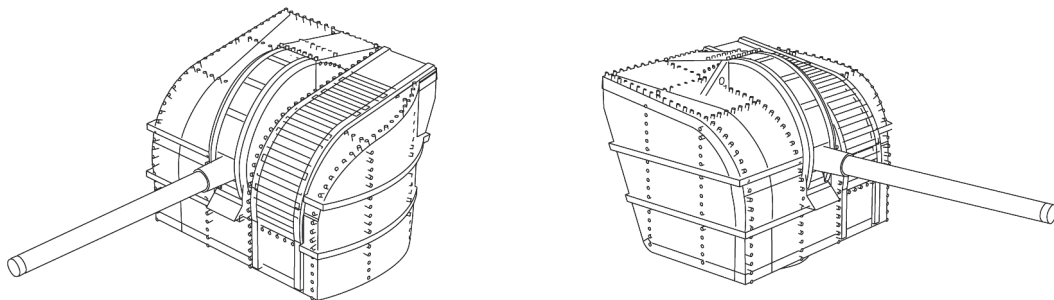


3. Complete the gun assembly (version 1 & 2) and choose the right elevation of the barrel.



! Prepare a 0.5 mm hole in the location corresponding to the chosen gun elevation.

4. Finished gun assembly.





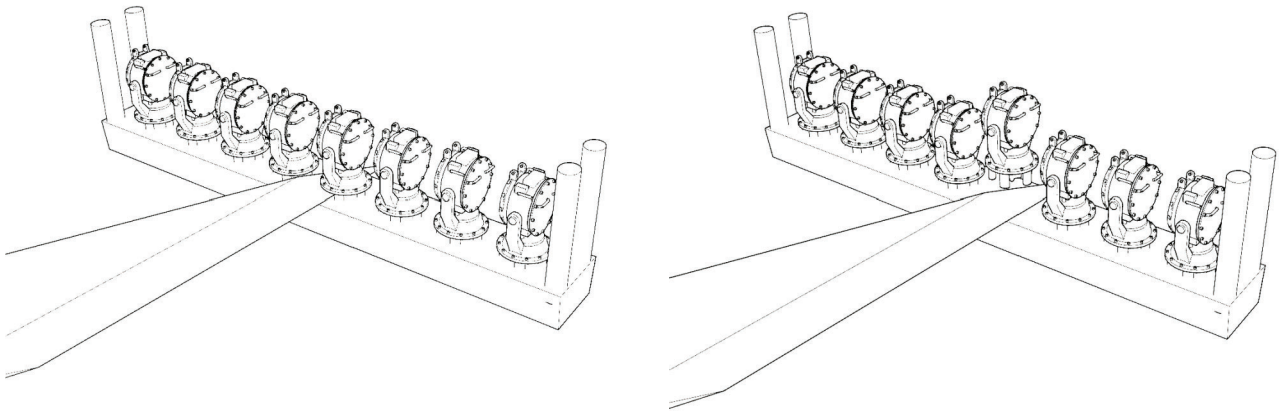
Our products are designed and manufactured in order to achieve the best possible accuracy and real outlook. Manufacturing process may make some minor individual differences among the same items or minor deformations. These can be visible in high zoomed pictures.

General accuracy achieved in our product has reached 0.03 mm.

Due to manufacturing process resin comes as best possible combination of mechanical properties. We have found optimal ratio between mechanical resistance, hardness and elasticity. However resin is fragile. Please take high attention when work with.

Cutting from the waffles

Items are connected to base by supports. Generally support are cylindrical and conical. By using sharp knife cut single support and continue on next one until all become detached.



Then remove rest of support to create proper surface.



Drilling holes and material removal

The resin used for these sets is fragile. Using extensive force or aggressive attempts of removing material may lead to breakage of parts. Please pay high attention when selecting the tooling for work with resin. Do not over-apply force while cutting and drilling in resin.

