

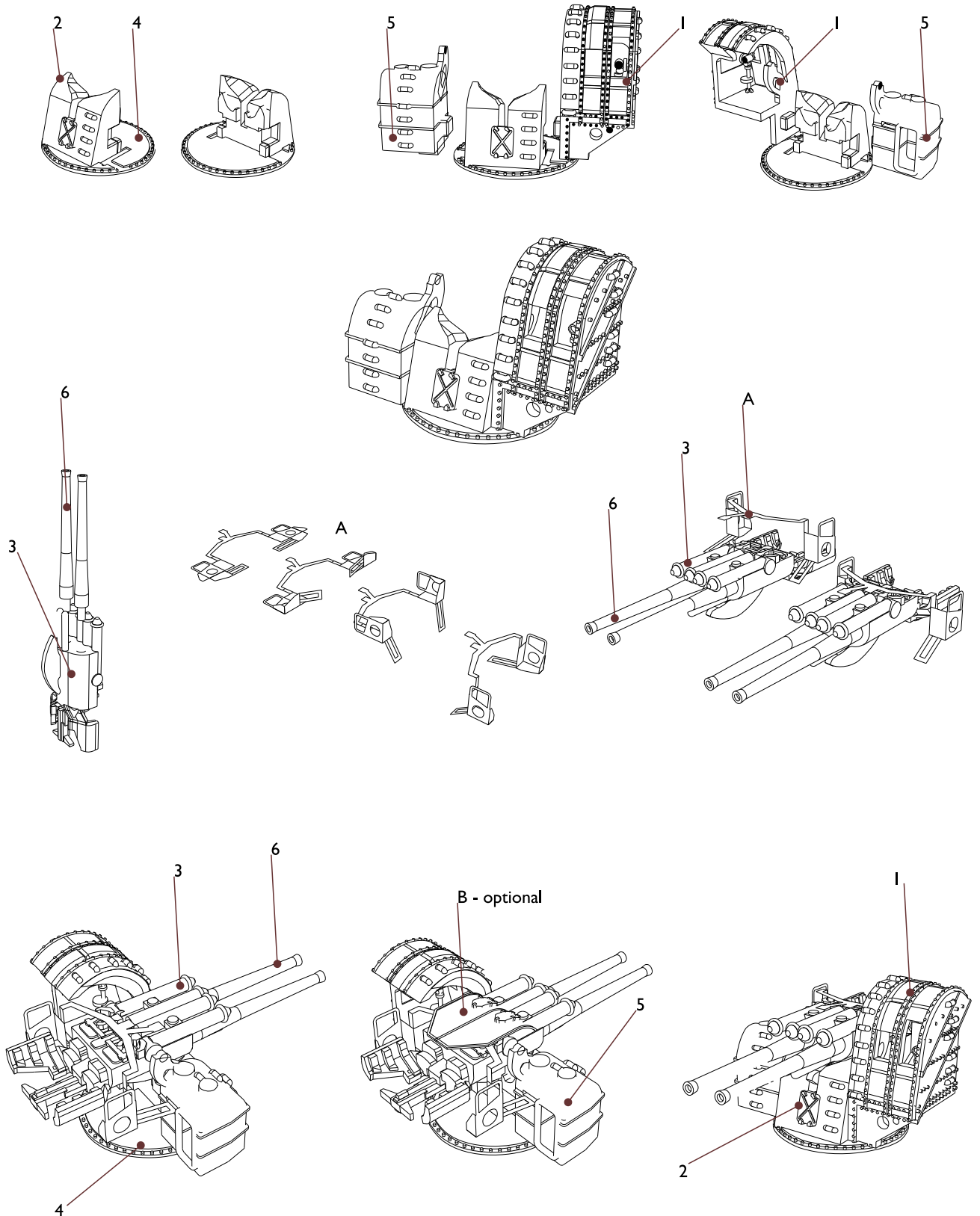
SO 700145

I-700 IJN Double 127mm type 89 AA Unit Open

Shelf  
Oddity

Designed by Blacman

### 127mm Twin Open

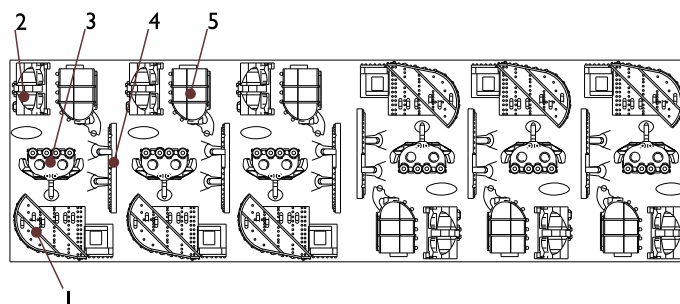
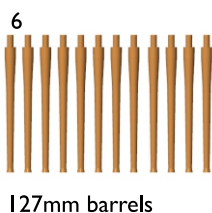
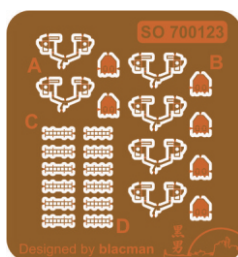


SO 700145

I-700 IJN Double I27mm type 89 AA Unit Open

Shelf  
Oddity

Designed by Blacman



## General Remarks:

Set has been designed in 0,02mm accuracy on extremely thin bras. Etching process may decrease some dimensions and create irregularities. To obtain best results gluing "egde-to-egde" is highly recommended. Be careful when bend and correct bendings. Set contains tailored 3D parts

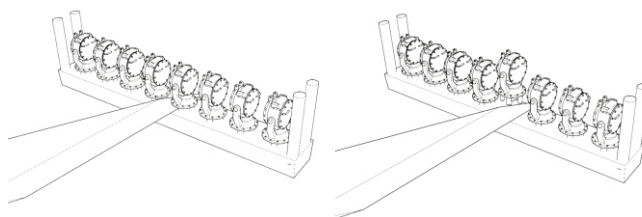
Set is inteded to be replacement or complement for standard injection parts. During reading this manual you might see some generic photoetched, bras tubes or plastic parts which are not a subject of this set.

Products are designed and manufactured in order to achieve best possible accuracy and real outlook. Manufacturing process may make some minor individual differences among the same items or minor deformations – which can be visible in high zoomed pictured. General accuracy achieved in our resin product has reached 0.03mm.

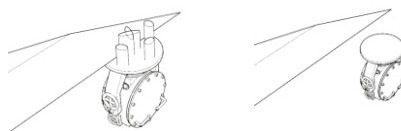
Due to manufacturing process resin comes as best possible combination of mechanical properties. We have found optimal ratio between mechanical resistance, hardness and elasticity. However resin is fragile. Please take high attention when work with.

## Cutting from the waffles.

Items are connected to base by supports. Generally support are cylindrical and conical. By using sharp knife cut single support and continue on next one until all become detached.



Then remove rest of support to create proper surface.



## Holes and material removal

Resin is fragile. Extensive work or agressive attempt to remove material may lead to breakage. Please pay high attention when tooling. Do not overuse the cutting or drilling forces.

